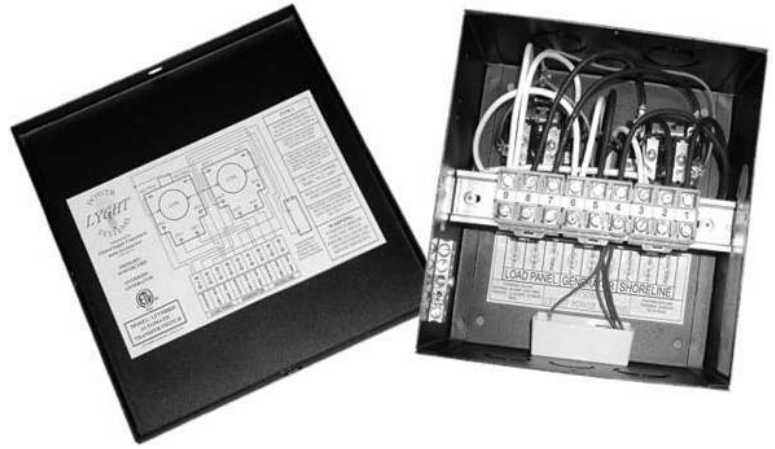




**MODEL # LPT50BRD**  
120VAC-240VAC 50 AMPS/POLE  
70 AMP NEUTRAL



## ***AUTOMATIC TRANSFER SWITCH***

- AUTOMATICALLY SWITCHES FROM POWER CORD TO GENERATOR
- HEAVY DUTY RELAY ASSEMBLY WILL HANDLE 50 AMP POWER CORD AND UP TO 12KW GENERATOR
- TRANSFERS TWO HOT POLES AND NEUTRAL SIMULTANEOUSLY
- GENERATOR START UP DELAY IS PROVIDED TO ALLOW THE GENERATOR TO GET UP TO SPEED
- UTILIZES A MICRO SWITCH ON THE NEUTRAL RELAY TO ENSURE NEUTRAL LINES ARE ENGAGED BEFORE THE HOT LINES
- DESIGNED WITH DC COILED RELAYS TO REDUCE HUM, AND TERMINAL BLOCKS TO SIMPLIFY WIRE CONNECTIONS
- QUICK AND EASY INSTALLATION
- DESIGNED FOR OEM AND AFTERMARKET APPLICATIONS



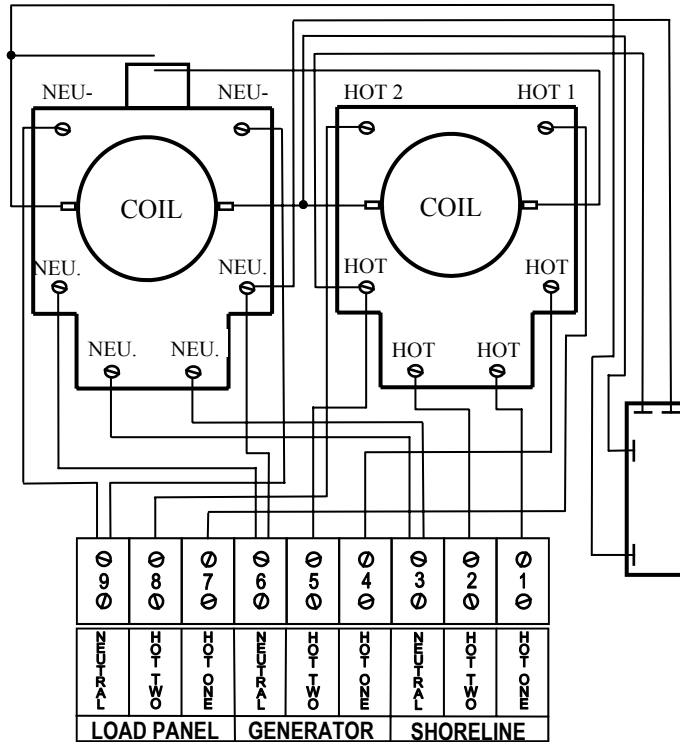
**GeneratorJoe**

4016 Quartz Drive  
Santa Rosa, CA 95405  
Phone: 707 539-9003  
Fax: 707 539-5212  
Email: [sales@generatorjoe.NET](mailto:sales@generatorjoe.NET)  
Web [www.generatorjoe.NET](http://www.generatorjoe.NET)

The LPT50BRD is intended for use as an electrical transfer switch to automatically switch multiple sources (from one to another), i.e. switching from shoreline to generator power.

The LPT50BRD is primarily designed for installation in conjunction with a generator having a rated output of no more than 12KW and an external power cord having a rated output of no more than 240VAC 1PH 60HZ, 2 poles at 50 Amps per pole.

### LPT50BRD INSTALLATION DIAGRAM



4016 Quartz Drive  
 Santa Rosa, CA 95405  
 Phone: 707 539-9003  
 Fax: 707 539-5212  
 Email: sales@generatorjoe.NET  
 Web www.generatorjoe.NET



TIMER BOARD PROVIDES 30 SECOND DELAY, BYPASS FOR INSTANT TRANSFER.

# GeneratorJoe

**CONTACTORS:** General Purpose DPDT 50 Amp relays.

**COIL:** 110 VDC 2 Watts.

**TIME DELAY:** Custom time delay, 30 seconds nominal. Can be bypassed for instant switching.

**PHYSICAL SIZE:** 8 1/2" X 8 1/2" X 4 1/2"

**KNOCKOUTS:** Assorted.

**WEIGHT:** 7.95 lbs.

- CAUTIONS:**
- \*\* INSTALL VERTICALLY OR HORIZONTALLY IN A DRY, ACCESSIBLE AREA.
  - \*\* CONSULT FACTORY BEFORE DRILLING METAL CASE.
  - \*\* KEEP COVERED EXCEPT DURING WIRING AS CONTACTORS ARE SENSITIVE TO DEBRIS.
  - \*\* HI-POT WITH LPT50BRD DISCONNECTED OR HI-POT ON LOAD SIDE OF SWITCH.

**WARRANTY:** The manufacturer warrants that this product shall be free from defects in material and workmanship for one year (twelve months) from date of purchase or eighteen months after date of manufacture, whichever is less. If, after our inspection a defect is revealed, the unit will be repaired and returned at our discretion. We will accept up to 1/2 hour (30 minutes) labor for the unit to be changed out or \$18.00, whichever is less. This warranty shall not apply to any product that shows evidence of neglect, misuse, improper installation, or that has been repaired or altered by any other party other than this company. Proof of purchase may be required.