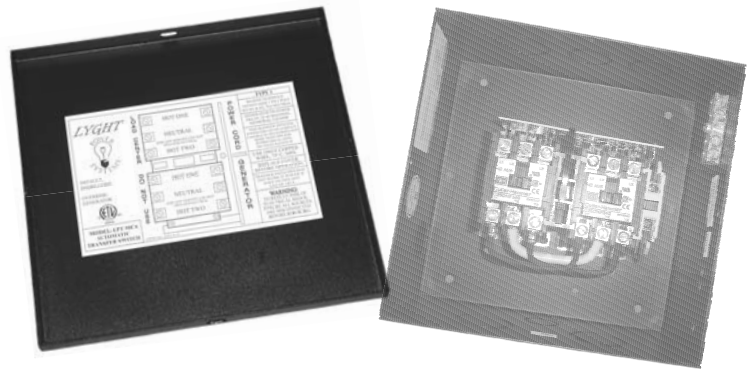




MODEL # LPT50CA
120VAC-240VAC, 50 AMPS /POLE
70 AMP NEUTRAL



AUTOMATIC TRANSFER SWITCH

- AUTOMATICALLY SWITCHES FROM POWER CORD TO GENERATOR
- HEAVY DUTY RELAY ASSEMBLY WILL HANDLE 50 AMP POWER CORD AND UP TO 12KW GENERATOR
- TRANSFERS TWO HOT POLES AND NEUTRAL SIMULTANEOUSLY
- RELIABLE TIME DELAY TO ALLOW GENERATOR TO GET UP TO SPEED BEFORE SWITCHING AUTOMATICALLY FROM SHORELINE TO GENERATOR POWER
- UTILIZES AN AUXILLARY SWITCH IN COMBINATION WITH A MECHANICAL INTERLOCK TO ENSURE POWER CORD IS OFF BEFORE GENERATOR POWER IS ENGAGED
- QUICK AND EASY INSTALLATION
- DESIGNED FOR OEM AND AFTERMARKET APPLICATIONS



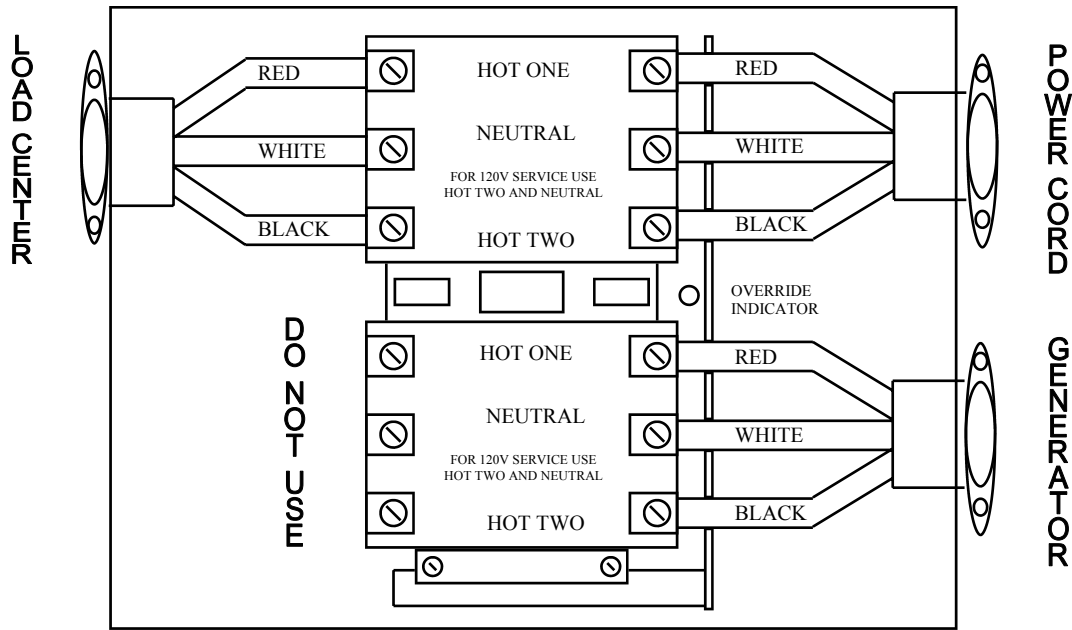
GeneratorJoe

4016 Quartz Drive
Santa Rosa, CA 95405
Phone: 707 539-9003
Fax: 707 539-5212
Email: sales@generatorjoe.NET
Web www.generatorjoe.NET

The LPT50CA is intended for use as an electrical transfer switch to automatically switch multiple sources (from one to another), i.e. switching from shoreline to generator power.

The LPT50CA is primarily designed for installation in conjunction with a generator having a rated output no larger than 12KW, an external power cord having a rated output no larger than 240 VAC, 2 poles 50A per pole, 1PH, 60HZ.

LPT50CA INSTALLATION DIAGRAM



CONTACTORS: 3 Pole N.O., 240VAC 50 Amps/Pole

COIL: 104-120VAC (60HZ, Inrush Current-30 Watts, Sealed-2.5 Watts)

AUXILIARY SWITCH: Shoreline release switch 120VAC, N.C.

TIME DELAY: Custom time delay, 30 seconds nominal

PHYSICAL SIZE: 8 1/2" X 8 1/2" X 4 1/2"

KNOCKOUTS: Assorted

WEIGHT: 7.9 lbs

CAUTIONS:

- ** INSTALL VERTICALLY OR HORIZONTALLY IN A DRY, ACCESSIBLE AREA.
- ** CONSULT FACTORY BEFORE DRILLING METAL CASE.
- ** KEEP COVERED EXCEPT DURING WIRING AS CONTACTORS ARE SENSITIVE TO DEBRIS.
- ** HI-POT WITH LPT50CA DISCONNECTED OR HI-POT ON LOAD SIDE OF SWITCH.

WARRANTY: The manufacturer warrants that this product shall be free from defects in material and workmanship for one year (twelve months) from date of purchase or eighteen months after date of manufacture, whichever is less. If, after our inspection, a defect is revealed, the unit will be repaired and returned, at our discretion. We will accept up to 1/2 hour (30 minutes) labor for the unit to be changed out or \$18.00, whichever is less. This warranty shall not apply to any product that shows evidence of neglect, misuse, improper installation, or that has been repaired or altered by any other party other than this company. Proof of purchase may be required.

4016 Quartz Drive
 Santa Rosa, CA 95405
 Phone: 707 539-9003
 Fax: 707 539-5212
 Email: sales@generatorjoe.NET
 Web www.generatorjoe.NET

GeneratorJoe

